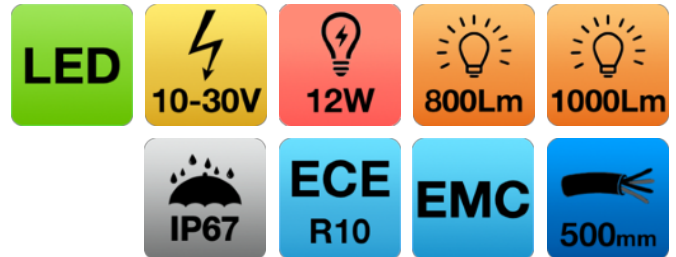


WORK LAMPS LED 10-30V ECE-R10 (EMC)

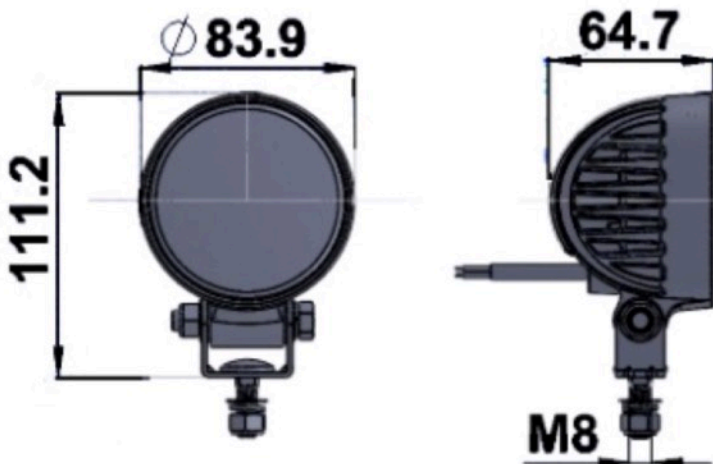
EWLX3012H/O

- Double insulated cable - 0,5m
- 4 x 3W SMD LED
- Die cast aluminium housing and black powder coating
- Reverse polarity protected
- Stainless steel mounting bracket

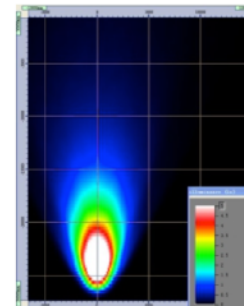


FEATURES

- Voltage : 10-30V
- Current Draw : 1A @ 12V 12W, 0.5A@ 24V 12W
- Mount: single bolt (M8)
- Approval: EMC E9 6400 : ECE R10
- Lumens: HL LED: 800 LM, OSRAM LED: 1000 LM
- Warranty: 3 years
- Ingress protection: IP 67
- Operating temperature: -40°C - +65°C



Angle 10 degrees Down,
Height 2.5m



ITEM NO.	VOLTAGE	CURRENT	POWER	Lm
EWLX3012H	10-30V	1A @ 12V	12W	800 Lm
EWLX3012O		0,5A @ 24V		1000 Lm