

# WORK LIGHT LED 54W

## SPECIFICATIONS

- Voltage: 10-32V
- Nominal power: 54W (9x 4x1,5W Osram LED)
- With Thermo Sense function and Vent filter
- Beam: ultra wide beam
- Housing: die-cast aluminium
- Installation: screw
- Approvals: ECE R10, CISPR25
- Ingress protection (IP rating): IP67
- Connection: cable 400mm

**LED**

**10-32V**

**54W**

Thermo Sense

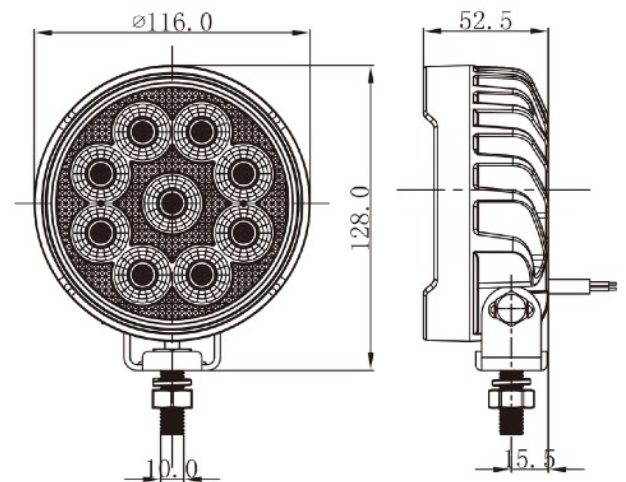
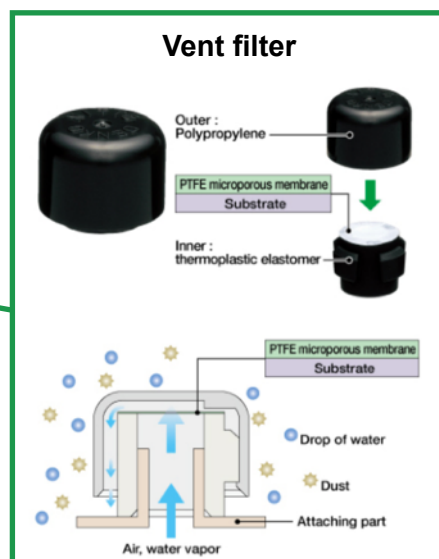
IP67

**ECE**  
R10

400mm



Four 1,5W Osram LED and special lens design for bright and homogeneous beam.



PART NO.	VOLTAGE	NOMINAL POWER	NUMBER OF LEDs	LUMEN (effective)	BEAM	IP
EWL583554	10-32V	54W	9x 4x1,5W Osram LED	3528Lm	ultra wide beam	IP67