

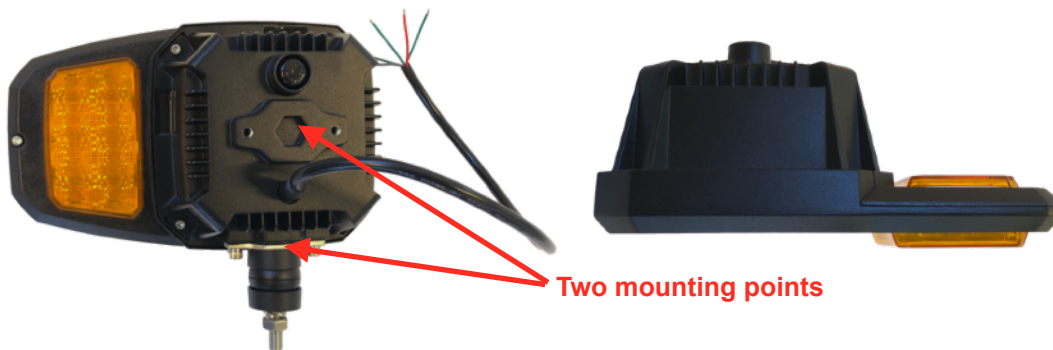
# HEADLAMP LED 259x164mm

- REACH compliant
- Heated lens version optional

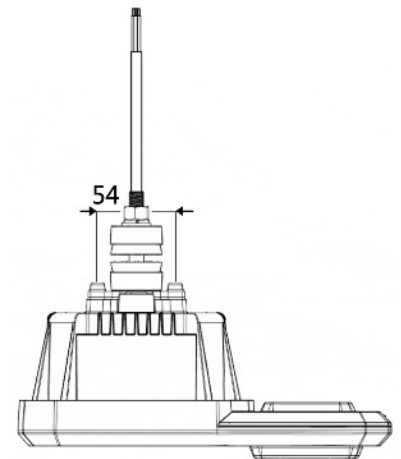
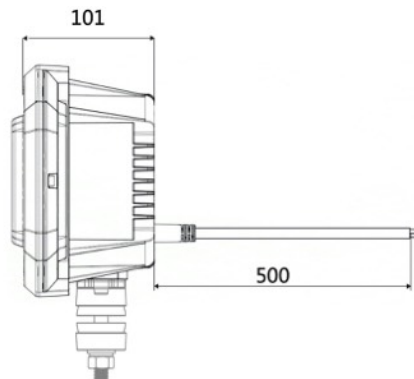
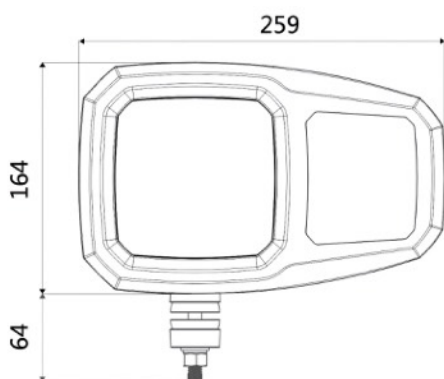


## SPECIFICATIONS:

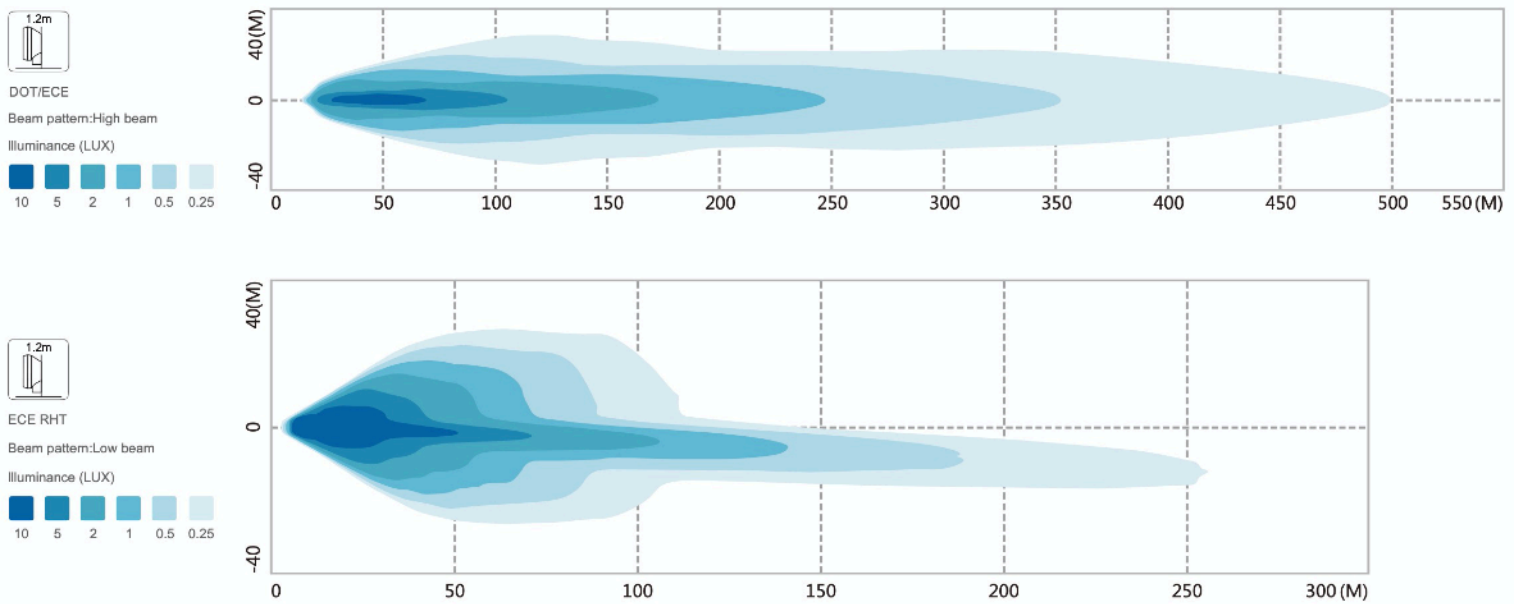
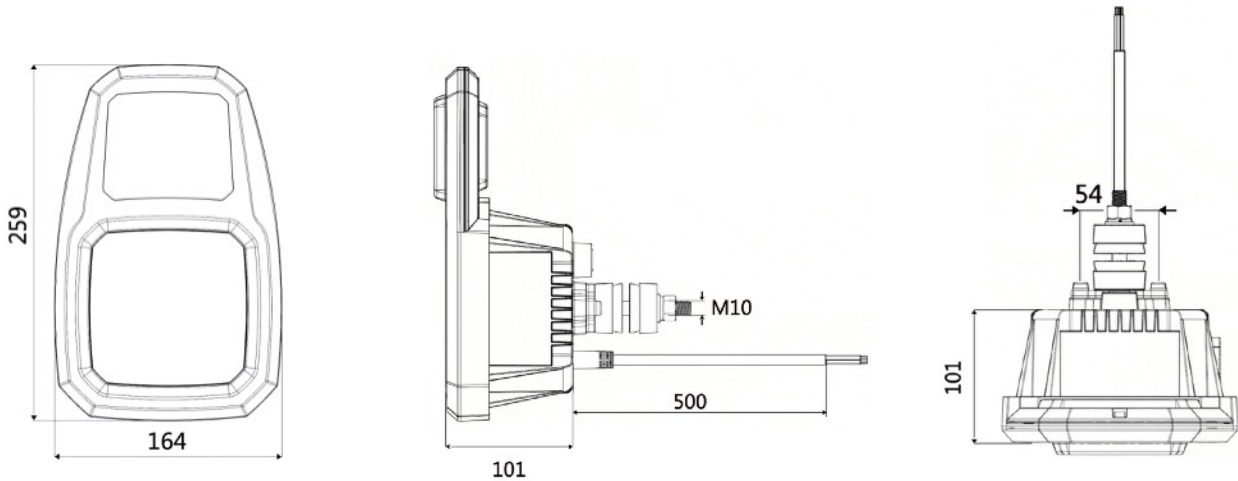
- Voltage: 10-30V
- Functions: Low/High beam, Position Direction indicator
- Housing/Lens: ADC12/PC
- Warranty: 3 years
- Approval: ECE R10, R7, R6, R112
- Ingress protection (IP rating): IP67
- Operating temperature: -40°C - +65°C
- Connection: cable 500mm / Deutsch connector



Two mounting points



# HEADLAMP LED 259x164mm



PART NO.	POSITION	VOLTAGE	FUNCTIONS	CONNECTION	NOMINAL POWER	LUMEN	INGRESS PROTECTION
EHL50511	RIGHT	10-30V	LOW BEAM	cable 500mm	16,1W	1100Lm	IP67
EHL50521	LEFT		HIGH BEAM		17,3W	1100Lm	
EHL50531	L and R		POSITION		3,5W		
			DI. INDICATOR (front)		5,1W		
			DI. INDICATOR (back)				
			OPTIONAL HEATED LENS		30W		
OPTIONS	D - Deutch connector, H - optional heated lens, RHT/LHT - left/right hand traffic, C - clear lens for direction indicator, B - horizontal mount						