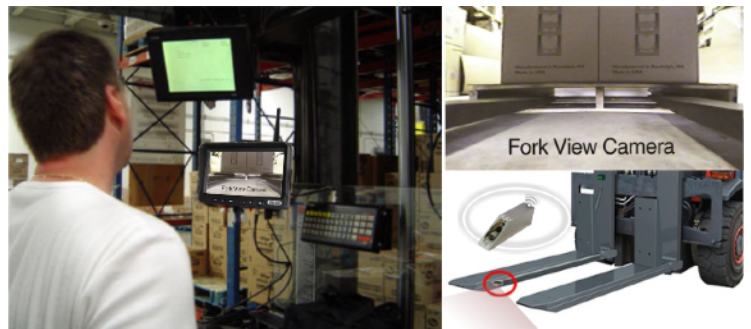


1080p WIRELESS FORKLIFT CAMERA SYSTEM

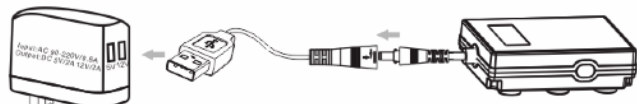
Wireless forklift 1080p camera system with 10000mA mobile power-pack. Wireless operating frequency 2,4GHz.

System contains:

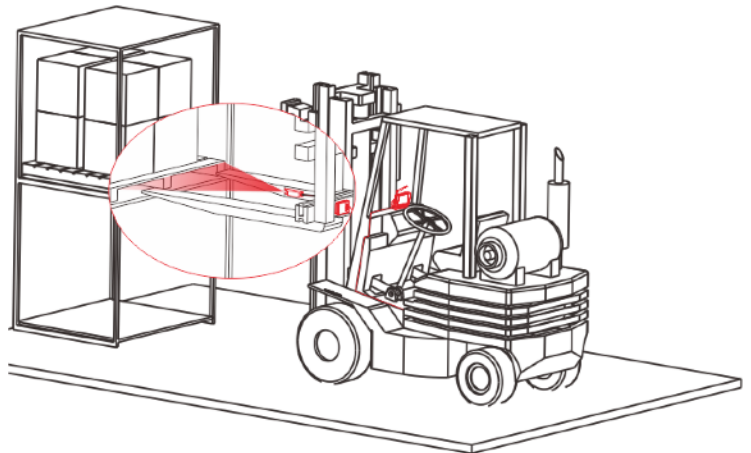
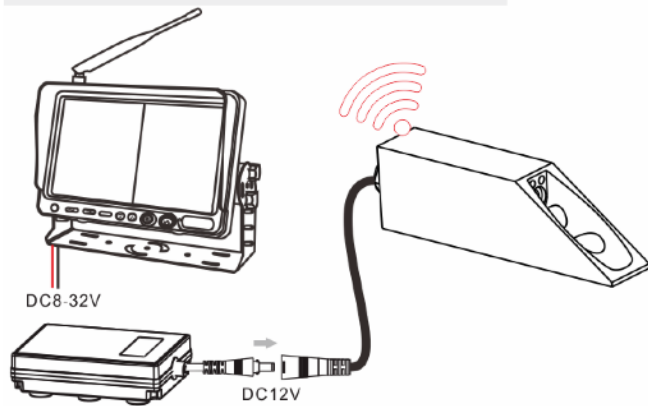
- **Wireless 7" TFT 1080p LCD monitor**
 - Built-in 2 CH 2.4GHz Digital Wireless Receiver
 - Voltage: 8~32V
 - Dimensions: 216x150x80mm
- **Stainless Steel Wireless 1080p Camera**
 - 1/2.9" color DSP
 - IP level: IP69K
 - Dimensions: 25x37x124mm
- **12V Mobile Camera Power-pack**
 - Li-ion battery (Panasonic)
 - Capacity: 10000mAh
 - Operating temperature: -10°C ~ +50°
 - IP level: IP66
 - Dimensions: 95x72x29mm



State of charge



Discharge connection diagram



PART NO.	DESCRIPTION	MONITOR	CAMERA	BATTERY	IP
EFS-8743	Wireless camera system	Wireless 7" 1080p	1080p 1/2.9" color DSP	10000mAh	IP96K / IP66
EFS-8763				30000mAh	
EPB-83W	Battery 30000mAh			30000mAh	IP66