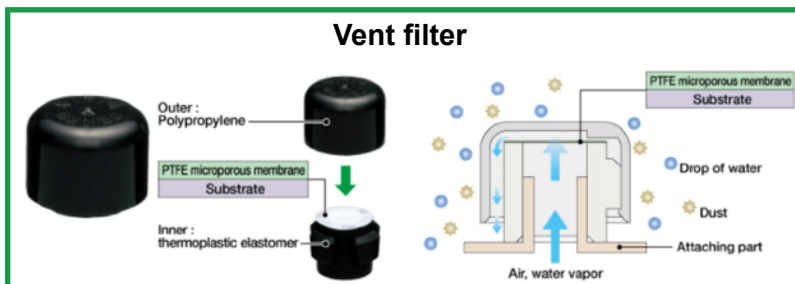
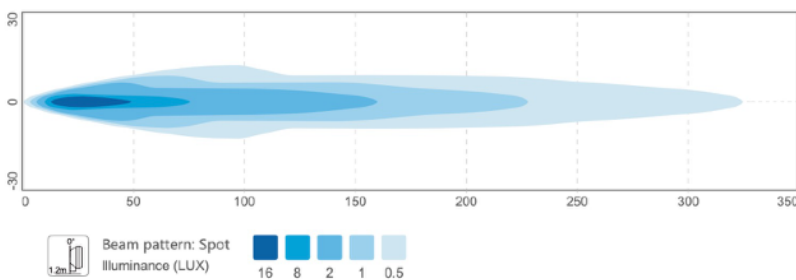
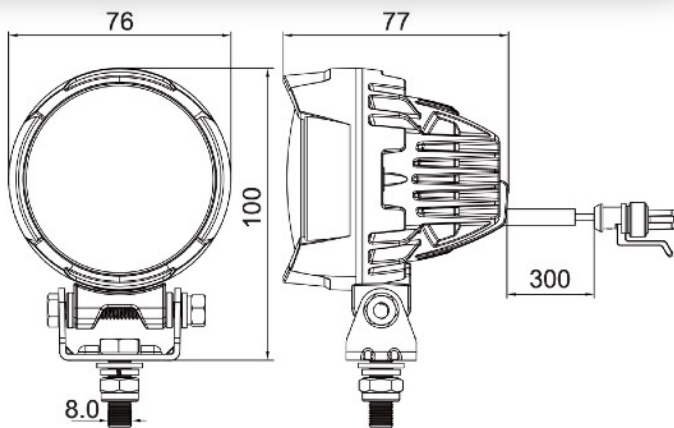


DRIVING LIGHT - ø76mm

SPECIFICATIONS:

- Voltage: 10-30V
- Nominal power: 10W (1x10W LED)
- Function: driving light
- Housing: die-cast aluminium
- Warranty: 3 years
- Installation: screw
- Approvals: EMC R10
ECE R112 → R149 (new)
- Ingress protection (IP rating): IP69K
- Connection: Superseal connector on 300mm cable



PART NO.	VOLTAGE	NOMINAL POWER	LUMEN	FUNCTION	APPROVAL	IP
EDL6010	10-30V	10W	1000Lm	driving light	EMC R10 ECE R149	IP69