

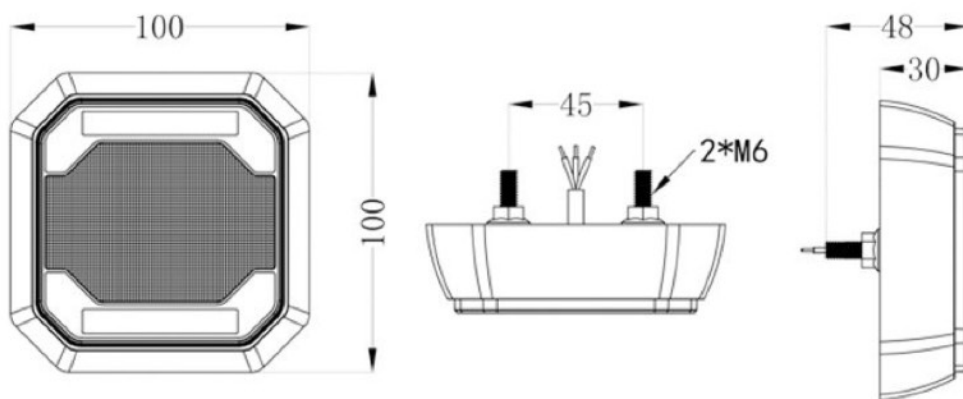
REAR SIGNAL LAMP - 100x100mm

SPECIFICATIONS:

- Voltage: 12-24V
- functions: diffused position / stop / direction indicator / reverse lamp
- Installation: bolt mount
- Approvals: ECE
- Ingress protection (IP rating): IP67
- Operating temperature: from -40°C to +65°C
- Connection: cable 200mm



EPR57923



Installation: 2x bolt mount



PART NO.	VOLTAGE	INSTALLATION	FUNCTIONS	POWER / LEDs	APPROVALS	IP
ES57921	12-24V	2x bolt mount	diffused position stop	1,0W / 16xLED 3,6W / 10x LED	ECE	IP67
ED57922			diffused position direction indicator	1,0W / 16xLED 2,04W / 10x LED		
EPR57923			diffused position reverse lamp	1,0W / 16xLED 1,7W / 10x LED		